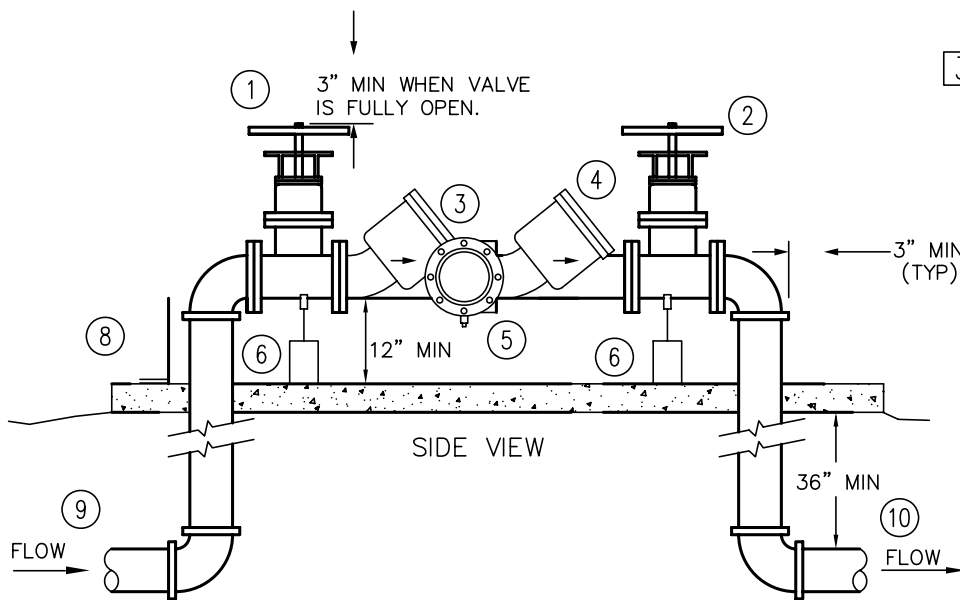
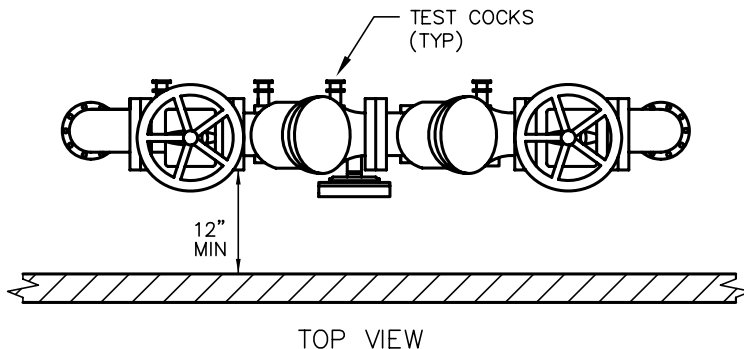


REDUCED PRESSURE BACKFLOW ASSEMBLY

NO SCALE
(INTERIOR INSTALLATION)



GENERAL NOTES

- 1 BACKFLOW ASSEMBLY SHALL BE A WASHINGTON STATE DEPARTMENT OF HEALTH APPROVED MODEL AND OF APPROVED CONFIGURATION (VERTICAL OR HORIZONTAL).
- 2 THE BACKFLOW ASSEMBLY SHALL BE TESTED AFTER INSTALLATION AND PRIOR TO ACCEPTANCE BY A CERTIFIED BACKFLOW ASSEMBLY TESTER. ANNUAL TESTING IS REQUIRED THEREAFTER. TEST RESULTS SHALL BE SENT TO FIRGROVE.
- 3 THE BACKFLOW ASSEMBLY SHALL BE CERTIFIED BY FIRGROVE UPON COMPLETION.

KEY NOTES

- | | |
|---------------------------------------|---|
| ① INLET SHUT-OFF
RESILIENT SEATED | ⑦ TEST COCKS SHALL BE LOCATED
SO AS TO FACILITATE ACCESS |
| ② OUTLET SHUT-OFF
RESILIENT SEATED | ⑧ PROVIDE DRAIN TO EXTERIOR TO
PREVENT FLOODING |
| ③ FIRST CHECK VALVE | ⑨ MAIN CONNECT FROM METER OR
OTHER |
| ④ SECOND CHECK VALVE | ⑩ MAIN TO BUILDING OR OTHER |
| ⑤ REDUCE PRESSURE ZONE | |
| ⑥ PIPE SUPPORT | |

FIRGROVE MUTUAL WATER COMPANY

