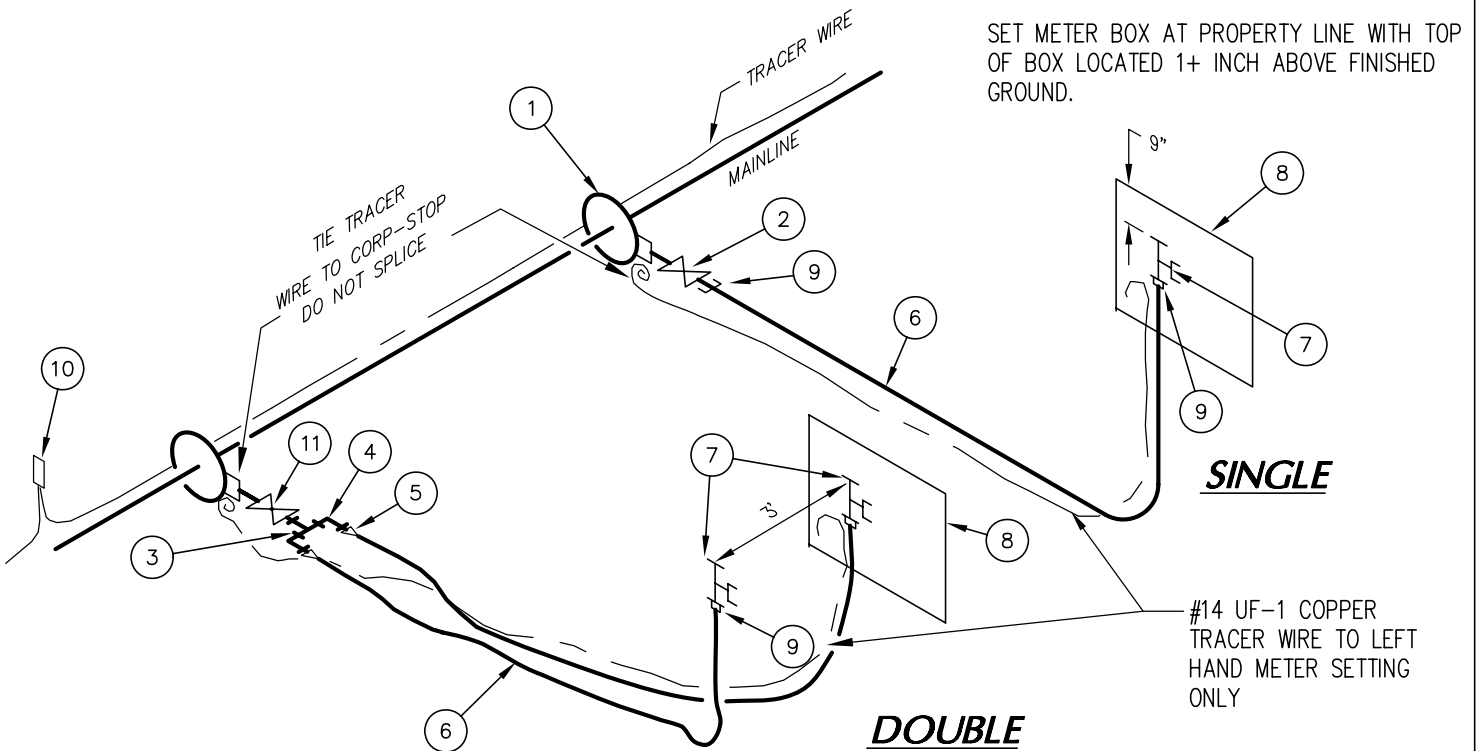


# WATER METER SERVICES

N.T.S.



## KEY NOTES

- ① SERVICE SADDLE ROMAC 3101-5, DUCTILE IRON CASTING WITH 1" FIP OUTLET AND STAINLESS STEEL STRAP
- ② CORP-STOP, MIP X FLARE
- ③ 1" BRASS TEE
- ④ 2 EA. 1" 90° STREET ELL BRASS
- ⑤ 1" FLARE x 1" MIP ADAPTER
- ⑥ 1' PE DRISCO 5100 COPPER TUBE SIZE SERVICE LINE COLD FLARE ONLY
- ⑦ ANGLE METER STOP-FORD KVC-23W
- ⑧ PLASTIC METER BOX CARSON MODEL 1419, 12" HIGH WITH READER LID. PREDRILL RIGHT HAND BOX ONLY FOR TRPL HOLE.
- ⑨ COLD FLARE ALL POLY PIPE PER MANUFACTURER RECOMMENDATIONS AND IN A MANNER OBSERVED AND APPROVED BY THE INSPECTOR TO ASSURE UNIFORM FLARE WALL THICKNESS AND FULL COVER ACROSS COUPLING SHOULDER, REED MFG CO. "ZIP FLARING TOOL - 1" PE-CTS RECOMMENDED
- ⑩ SPLICE KITS PER DETAILS SHOWN IN "TRACER WIRE AND SPLICE DETAIL"
- ⑪ 1" CORP. STOP 1' MIP x 1" MIP



# FIRGROVE MUTUAL WATER COMPANY